

APPA 50 & 50II SERIES MULTIMETER

SPECIFICATIONS: (All at 23°C±5°C, ≤ 80% R.H.)

		APPA51	APPA52	APPA53II	APPA55II
Measurement	K-type, -50°C~1300°C, -58°F~1999°F	•	•	N/A	N/A
Range:	K-type, -200°C~-1372°C, -328°F~2501°F	N/A	N/A	•	•
	J-type, -210°C~1200°C, -346°F~2192°F				
Resolution:	High: 0.1°C or 0.2°F, Low: 1°C or 1°F	•	•	N/A	N/A
	0.1°C / 0.1 K / 0.2°F 1000°, 1°C / 1 K / 2°F 1000°	N/A	N/A	•	•
K-type Accuracy:	±(0.3%+1°C) at -50°C~1000°C, ±(0.3%+2°F) at -58°F~1832°F	•	•	N/A	N/A
	±(0.5%+1°C) at 1000~1300°C, ±(0.5%+2°F) at 1832°F~1999°F				
	±(0.3%+1°C) at -200°C~-100°C, ±(0.3%+2°F) at -328°F~-148°F				
	±(0.1%+0.7°C) at -99.9°C~999.9°C, ±(0.1%+1.4°F) at -147.8°F~999.9°F	N/A	N/A	•	•
J-type Accuracy:	±(0.3%+1°C) at 1000°C~1372°C, ±(0.3%+2°F) at 1000°F~2501°F				
	±(0.3%+1.1°C) at -210°C~-100°C, ±(0.3%+2.2°F) at -346°F~-148°F				
Accuracy:	±(0.1%+0.8°C) at -99.9°C~999.9°C, ±(0.1%+1.6°F) at -147.8°F~999.9°F	N/A	N/A	•	•
	±(0.3%+1°C) at 1000°C~1200°C, ±(0.3%+2°F) at 1000°F~2192°F				
Accuracy:	T1-T2	N/A	•(K-type only)	N/A	•(Both K and J type)
	±(0.3% of T1-T2 reading + 2.0°C), ±(0.3% of T1-T2 reading + 4.0°F)				
Temperature	0.15(Spec. Acc)/°C, <18°C or>28°C	•	•		
Coefficient:	0.1(Spec. Acc)/°C, <18°C or>28°C	N/A	N/A	•	•
Data logging	16,000 records	N/A	N/A	•	•
Capacity:					
Computer Interface Software:	Optical RS-232 interface cable with Win DTM 50 software	N/A	N/A	•Optional	•Optional

GENERAL:

Input: K-type thermocouple	•	•	•(J-type optional)	•(J-type optional)
Sampling Rate: 2.5times/sec	•	•	2times/sec	1times/sec
Display: 3 1/2 digit (1999 count) LCD, full annunciators	•	•	N/A	N/A
	Triple 4 digit (9999 count) LCD, full annunciators	N/A	N/A	•
Overload Indication:	"1" or "-1"	"1" or "-1"	"...."	"...."
Low Battery Indication:	⊕ ⊖	⊕ ⊖	⊕ ⊖	⊕ ⊖
Selectable Auto Power Off: You can select an APO of OFF, 10, 20, 30, 40, 50 and 60 minutes.	N/A	N/A	•	•
Operating Temperature: 0°C~50°C, 80% RH	•	•	•	•
Storage Temperature: -20°C ~ 60°C	•	•	•	•
Input Protection: 60V dc or 24Vrms ac maximum	•	•	•	•
Power Requirement: Single 9V battery (NEDA 1604 or IEC 6F22)	•	•	•	•
Battery Life: In hours (Alkaline battery)	250	250	90	90
Size: 64mm(W) x 160mm (L) x 26 mm(H), without holster	•	•	•	•
	74mm(W) x 170mm (L) x 39 mm (H), with holster	•	•	•
Weight: In grams (with holster)	430	430	430	430
Included with instrument: Type 50BK bead thermocouple, ZnC battery (installed)	•	•(50BK X 2PCS)	•	•(50BK X 2PCS)
	Protective holster, belt clip and manual			

Specifications subject to change without notice.

Copyright © 2004 APPA Tech., Corp. All rights reserved

Distributed by:

APPA TECHNOLOGY CORPORATION

9F, 119-1 Pao-Zong Rd., Shintien, Taipei, 231, TAIWAN

Tel: +886-2-29178820 Fax: +886-2-29170848

E-mail: info@appatech.com · http://www.appatech.com

ISO 9001 CERTIFIED

APPA 50 Series

The Toughest Meters For Temperature Test & Measurements



APPA®

Advanced Instrument Technology Made Easy



APPA 51 Thermometer

- K-type Thermocouple
- Large LCD display (18.5 mm)
- 1°C or 0.1°C (1°F or 0.1°F) resolution
- 0.3% + 1°C basic accuracy
- °C or °F display
- Maximum Record
- Reading hold function
- Standard 9V battery
- Protective holster with tilt stand
- Bead probe included



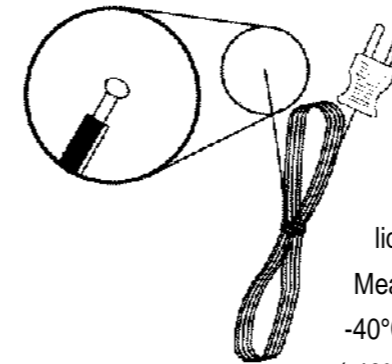
APPA 52 Thermometer

- K-type Thermocouple
- Large LCD display (18.5 mm)
- Dual thermocouple input
- Differential temperature (T1-T2)
- 1°C or 0.1°C (1°F or 0.1°F) resolution
- 0.3% + 1°C basic accuracy
- °C or °F display
- Maximum Record
- Reading hold function
- Standard 9V battery
- Protective holster with tilt stand
- Two bead probes included

Temperature Probes For APPA 50 Series Handheld Thermometers

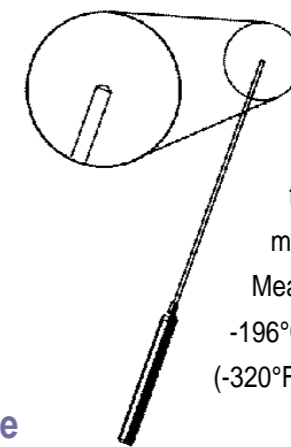
The following interchangeable Type K thermocouples include mini-connectors for use with APPA 50 series meters or other temperature measuring instruments that accept mini-connectors.

50BK Bead Probe



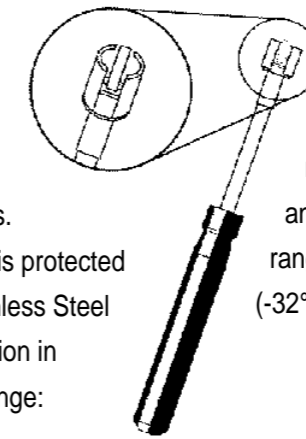
Included with APPA 50 series. General purpose applications. Teflon tape insulation. Not suitable for liquid immersion. Measurement range: -40°C to 204°C (-40°F to 399°F)

50IK Immersion Probe



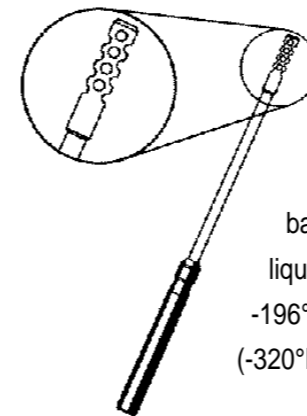
For liquids and gels. Protected from tip to handle by an Inconel sheath. Suitable for general temperature measurement applications. Measurement range: -196°C to 800°C (-320°F to 1472°F)

50SK Surface Probe



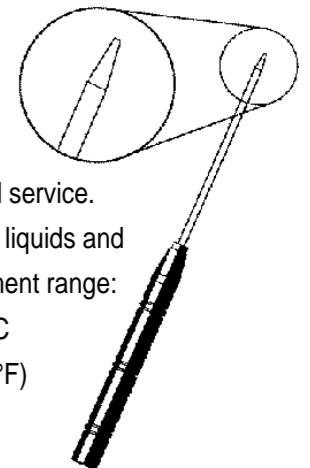
For flat or slightly convex surfaces. Ideal for measurement of hot rollers and plates. Measurement range: -0°C to 400°C (-32°F to 752°F)

50AK Air Probe



For air and gases. Measuring bead is protected by perforated Stainless Steel baffle. Not for immersion in liquid. Measurement range: -196°C to 500°C (-320°F to 932°F)

50PK Piercing Probe



Suitable for food service. Also suitable for liquids and gels. Measurement range: -196°C to 800°C (-320°F to 1472°F)



NEW
APPA 53II

- Triple 4 digit large LCD display shows main reading plus MIN, MAX or AVG.
- MIN, MAX, and AVG display with Real Time Stamp
- Auto calibration with excellent accuracy
- Measure K, J-Types of thermocouples
- Selectable °C, °F, or K reading
- Easy to use panel design
- Data logging up to 16,000 records
- Optical RS-232 interface
- Auto Power Off with selectable time setting
- Protective Holster with tilt stand
- Bead probe included
- Optional optical RS-232 cable and Win DTM 50 software



NEW
APPA 55II

- Triple 4 digit large LCD display shows any combination of T1, T2, T1-T2 plus MIN, MAX and AVG.
- MIN, MAX, and AVG display with Real Time Stamp
- Auto calibration with excellent accuracy
- Measure K, J-Types of thermocouples
- Selectable °C, °F, or K reading
- Easy to use panel design
- Data logging up to 16,000 records
- Optical RS-232 interface
- Auto Power Off with selectable time setting
- Protective Holster with tilt stand
- Two bead probes included
- Optional optical RS-232 cable and Win DTM 50 software



Virtual Instrumentation..... APPA 53II & 55II Digital Thermometer have an optional purchased optical RS-232 cable and powerful, comprehensive Win DTM 50 software which enables a safe and easy connection to PCs for further data acquisition and analysis.



Every APPA 50 Series meter is supplied with a protective holster that includes a built-in tilt stand and a nail hook. This holster provides an extra degree of protection and convenience for your meter.